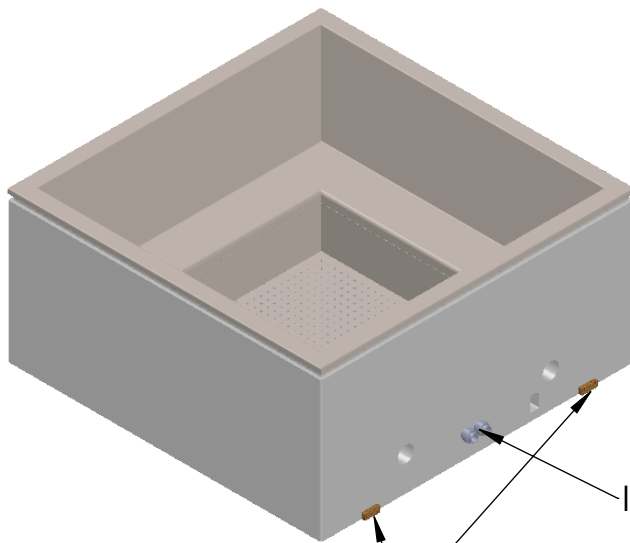
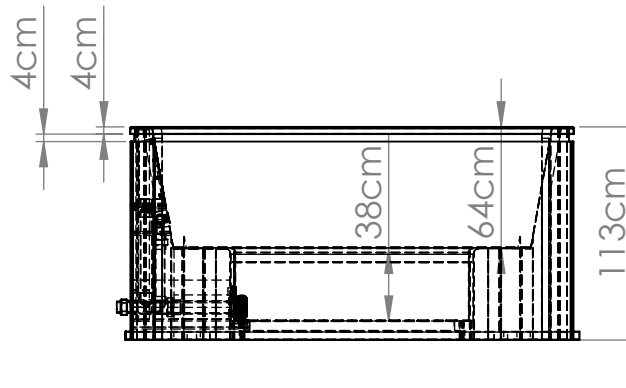
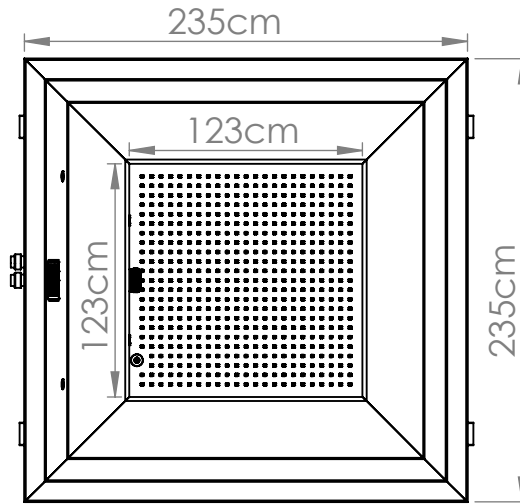


Vikt: 230 kg

Volym: 3200 liter



Lyftreglar

In och utlopp 50mm

UNLESS OTHERWISE SPECIFIED:  
DIMENSIONS ARE IN MILLIMETERS  
SURFACE FINISH:  
TOLERANCES:  
LINEAR:  
ANGULAR:

FINISH:

DEBURR AND  
BREAK SHARP  
EDGES

DO NOT SCALE DRAWING

REVISION

|        | NAME | SIGNATURE | DATE |  |
|--------|------|-----------|------|--|
| DRAWN  |      |           |      |  |
| CHK'D  |      |           |      |  |
| APPV'D |      |           |      |  |
| MFG    |      |           |      |  |
| Q.A    |      |           |      |  |
|        |      |           |      |  |
|        |      |           |      |  |
|        |      |           |      |  |
|        |      |           |      |  |

TITLE:

MATERIAL:

DWG NO.

2400x2400

A4

WEIGHT:

SCALE: 1:50

SHEET 1 OF 1