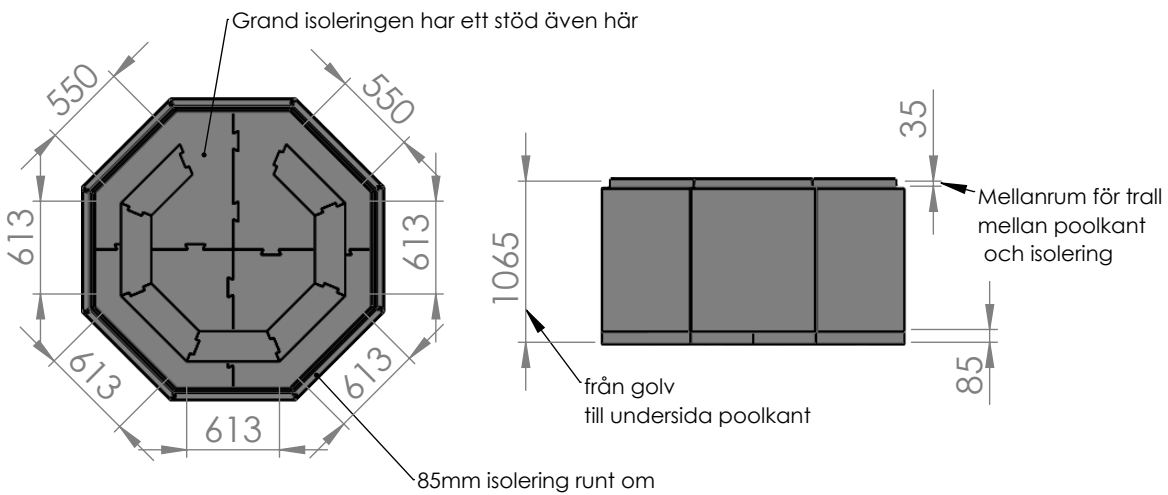


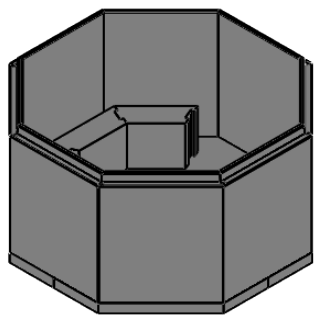
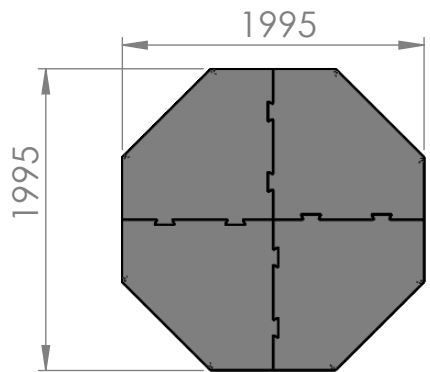
4 3 2 1

F

F



OBS sittyta med urtag ska vara mittför vägg med lucka



Isolering Grand:

- Vägg 7st
- Vägg med lucka 1st
- \*Golv 4st
- \*Sittyta L= 613 7st
- \*Sittyta L= 613 urtag 1st

Isolering Comfort:

- Väggar 8st
- \*Golv 4st
- \*Sittyta L=613 6st
- \*Sittyta L=550 2st

\* = bottenstomme

B

B

UNLESS OTHERWISE SPECIFIED:  
DIMENSIONS ARE IN MILLIMETERS  
SURFACE FINISH:  
TOLERANCES:  
LINEAR:  
ANGULAR:

FINISH:

DEBURR AND  
BREAK SHARP  
EDGES

DO NOT SCALE DRAWING

REVISION

	NAME	SIGNATURE	DATE
DRAWN			
CHK'D			
APPV'D			
MFG			
Q.A			

TITLE:

MATERIAL:

WEIGHT:

DWG NO.

SCALE: 1:50

SHEET 1 OF 1

# Grand Comfort isolering

A4

4 3 2 1

A

A